

— **EUCLIDE**

Collection MIGHTY_2022



1-
3

— DATA SHEET

EUCLIDE is a coffee table made with the aid of CNC machines and skilfully finished by local workers in compliance with the Made in Italy principles.

It is composed of two marble elements joined by a geometric joint with mechanical fixing guaranteed by a metal plate with hidden screws.

The thicknesses of the two elements are different from each other: the circular top has a variable thickness from 1 to 3 cm, while the vertical support which has a truncated cone shape, therefore with a variable section, has a footprint of 20 cm on the ground * 25 and a height of 39 cm. The latter also has the particularity of being internally hollow and covered with a wooden veneer.

Among the available marbles it is possible to choose between Calacatta, white Statuario, white Michelangelo and white Carrara while the internal concave part is finished with a natural leather covering.

Since these are handcrafted products, the images of the materials used are indicative, photos of the materials actually selected will be provided at the time of the order.

— **FINISHES**



- **MARBLES:**



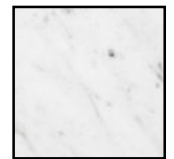
Statuario



Calacatta



B. Michelangelo



B. Carrara

- **INTERNAL LINING:**

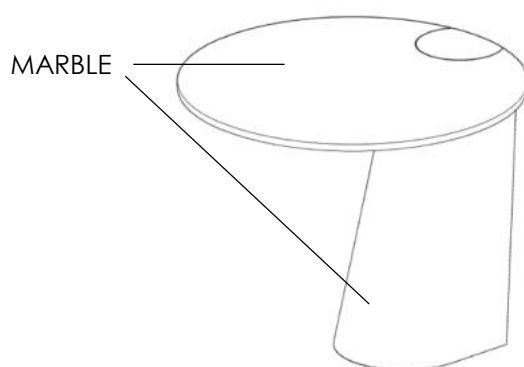


Natural leather

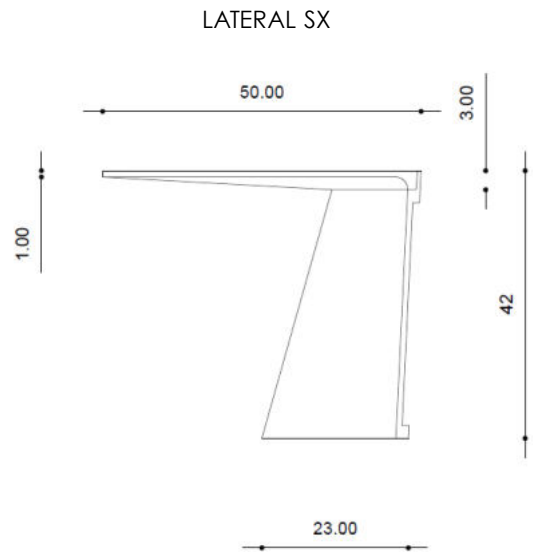
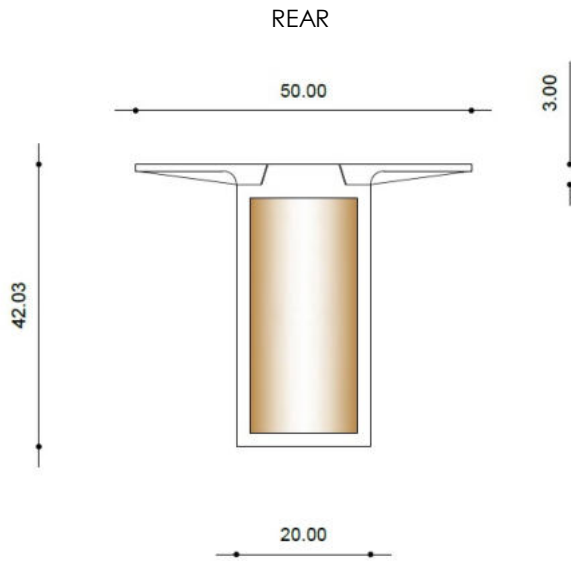
— **TECHNICAL INFORMATION**

2-
3

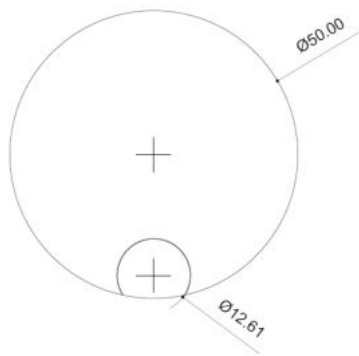
- **MARBLE:** thickness 3 cm (base) - 25 * 20 * 39 cm (foot) with smooth finish natural and water-based hydro-oil repellent treatment. Junction with continuous vein.
- **INTERNAL LINING:** natural leather.



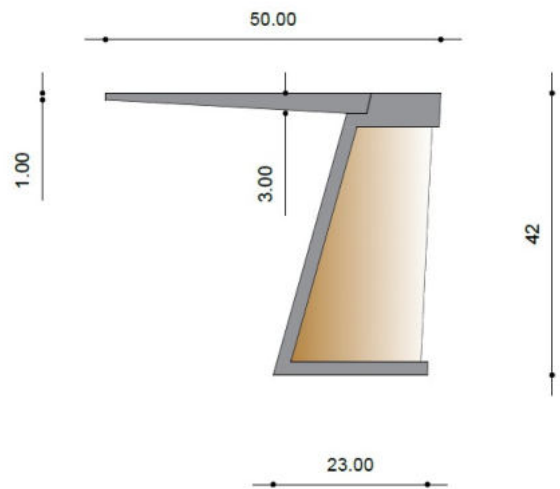
— DIMENSIONS



PLAN



VERTICAL SECTION



HORIZONTAL SECTION

