

— **TAU**
MIGHTY collection_2021



1-
3

— DATA SHEET

TAU is a circular dining table obtained from the three-dimensional processing of a marble block with the aid of CNC machinery and manually finished by Italian workers.

The available materials are carefully chosen from the selection of the raw block to the transformation into finished, tracing the production chain.

The available finishes are natural sanding and fine brushing with surfaces that are subjected to several cycles of water-oil repellent treatment with water-based (eco-friendly) products.

The central trunk, with maximum size of 750 x 550 mm with a hollow section and an average thickness of 40 mm, is connected to the top by a metal plate with an "L" section, in brass or stainless steel, suitably equipped with holes and fixing.

Since these are handcrafted products, the images of the materials used are indicative, photos of the materials actually selected will be provided at the time of the order.



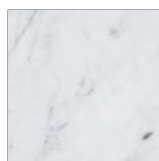
TAU
MIGHTY
Collection
2021

— FINISHES

- MARBLES:



BARDIGLIO



B. GIOIA

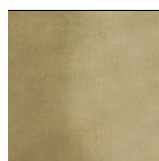


MICHELANGELO

- METAL:



ACCIAIO

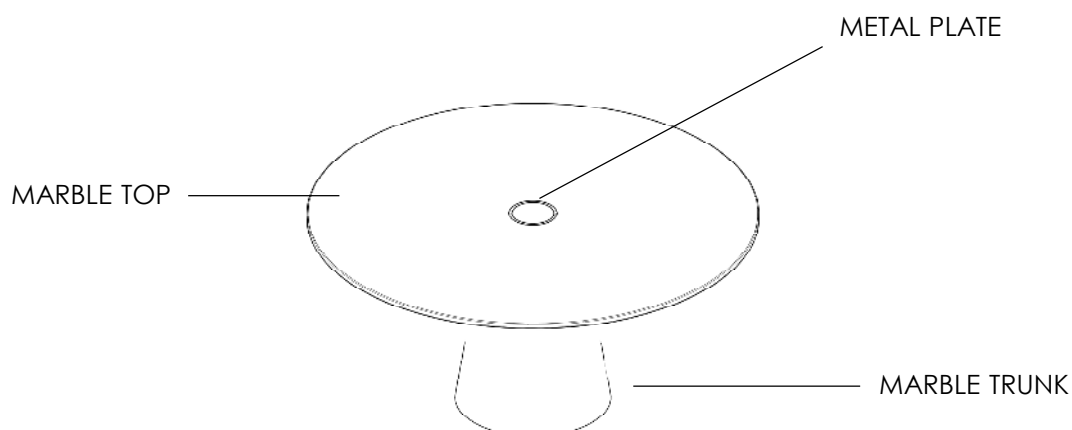


OTTONE

— TECHNICAL INFORMATION

2-
3

- TOP_marble thickness 20/25 mm, diameter 1400/1600 mm with finish natural honed or fine brushed and water-oil repellent treatment water (eco-friendly).
- TRUNK_marble size 750 x 550 mm with honed or brushed finish and water-based water-oil repellent treatment (ecofriendly).
- PLATE_metal with size 300 x 100 mm with satin finish.



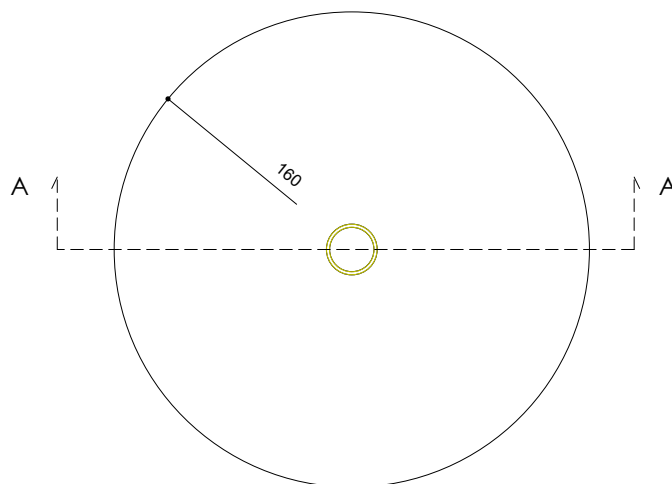
— DATA SHEET



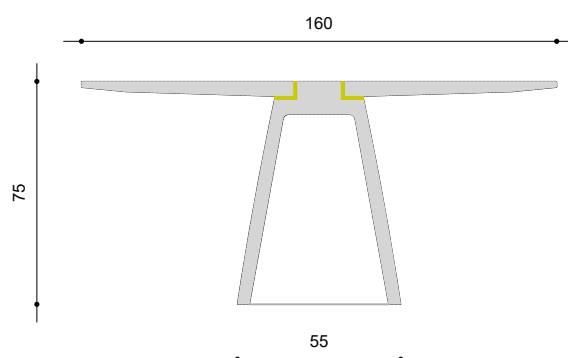
TAU
MIGHTY
Collection
2021

— DIMENSIONS

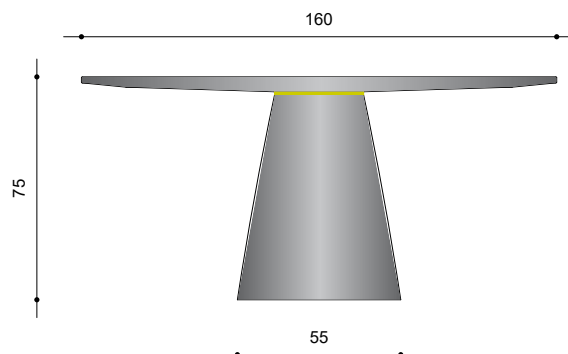
PLANT



SECTION A-A



FRONT



3
3

— DATA SHEET

Dimensions expressed in centimeters. The company reserves the right to make changes to the models without notice. The information reported here is based on the latest data published in the price list.