

— INCLINE

IMPRINT collection_2021



1-
3

— DATA SHEET

INCLINE is a freestanding washbasin divided into two parts made entirely of marble inside which there is a cladding and two containers in blockboard Canaletto Walnut or Oak.

The main part of the trunk, entirely in solid wood, is obtained from the modeling of a single stone block with the aid of CNC machinery while the removable front part is obtained by assembling 20 mm thick slabs, always obtained from the same block, in order to maintain uniformity of color and continuity of grain.

The front part, which incorporates two wooden containers, becomes removable thanks to the full-extension metal guides with soft control system, while the upper part of the sink is equipped with a removable lid that allows maintenance of the drain area.

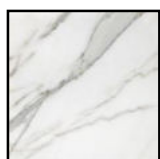
Since these are handcrafted products, the images of the materials used are indicative, photos of the materials actually selected will be provided at the time of the order.

— **FINITURE**

• **MARMI:**



Statuario



Calacatta



Michelangelo

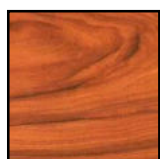


Limestone

• **LEGNI:**



Noce Canaletto



Palissandro

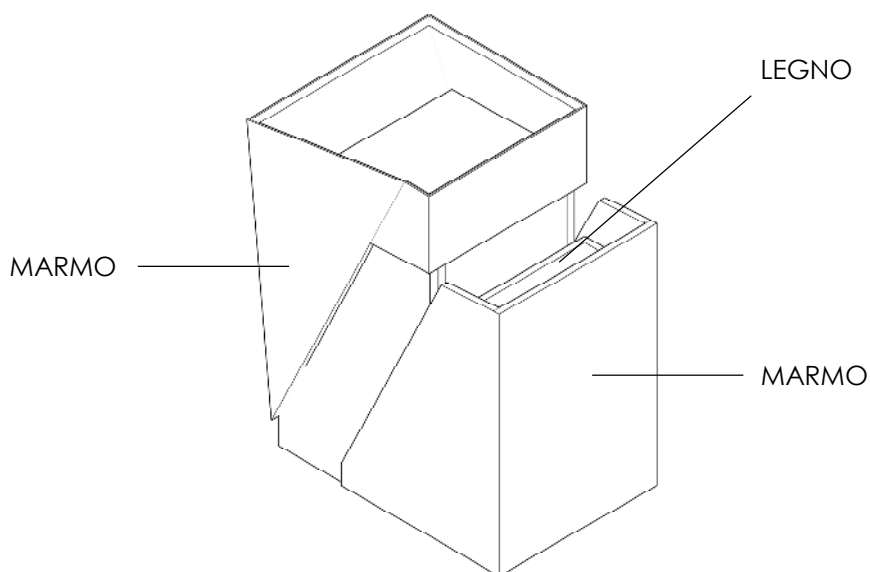


Rovere

— **INFORMAZIONI TECNICHE**

2-
3

- MARMO_spessore variabile con finitura levigata naturale e trattamento idro-oleorepellente a base acqua.
- LEGNO_spessore cm 2 con finitura levigata e verniciatura protettiva ad acqua.

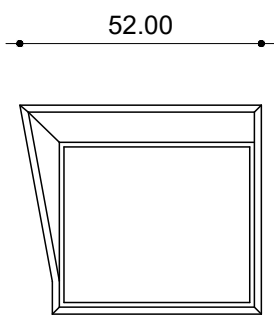




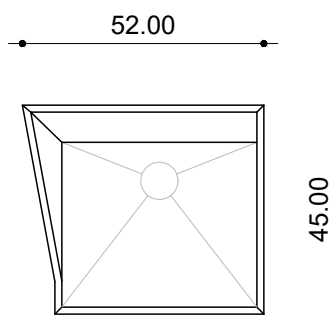
INCLINE
IMPRINT
Collection
2021

— DIMENSIONS

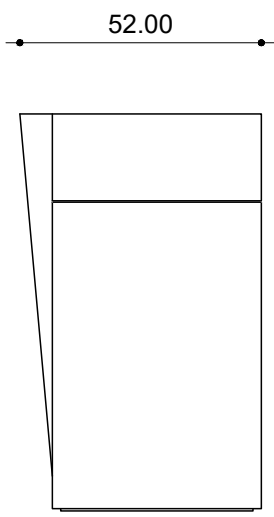
PLANT



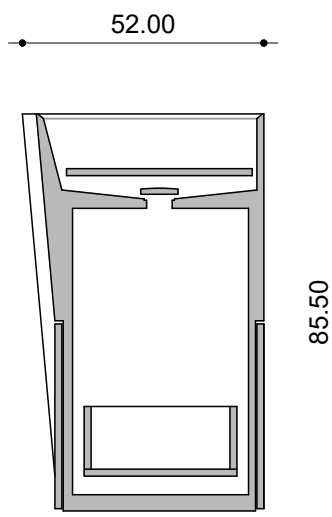
PARTICULAR INCLINATION



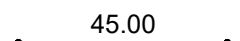
FRONT



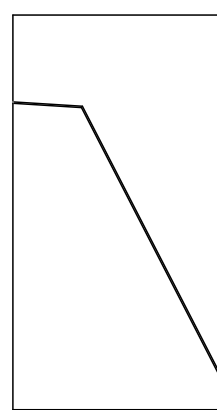
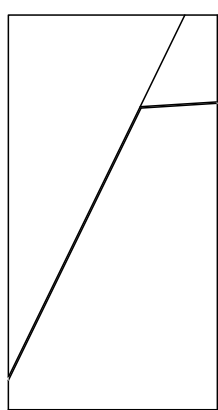
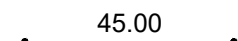
SECTION



LATERAL SX



LATERAL DX



3 3

— DATA SHEET

Dimensions expressed in centimeters. The company reserves the right to make changes to the models without notice. The information reported here is based on the latest data published in the price list.